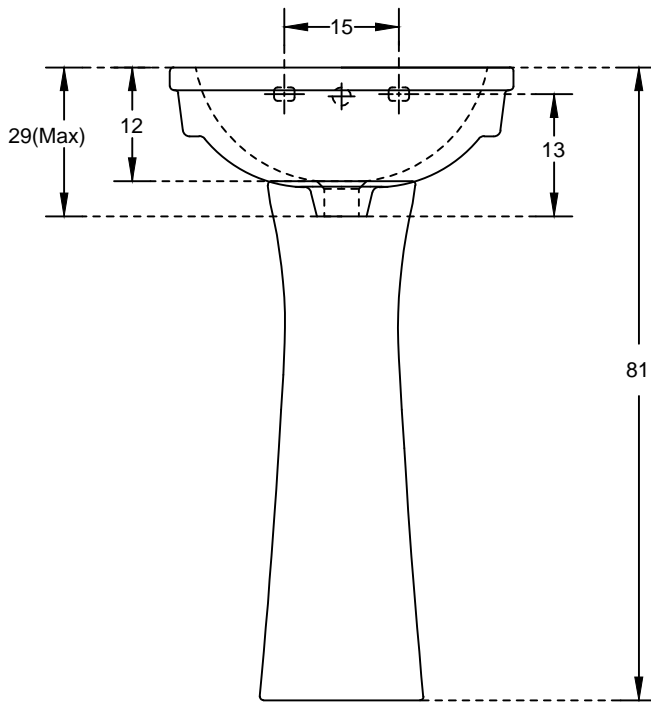


PLAN VIEW



FRONT ELEVATION

hindware

**HSIL LIMITED,  
BAHADURGARH**

CATALOGUE No.: 10088/11003

ITEM DESCRIPTION: WASH BASIN DUNE (46 x 33 x 81 CM)

DRAWN:

UNIT: CM

CHECKED:

SCALE: 1:10

APPROVED:

DRG. No.: WB/093  
REV. No.: 0

DATE: 21.01.16