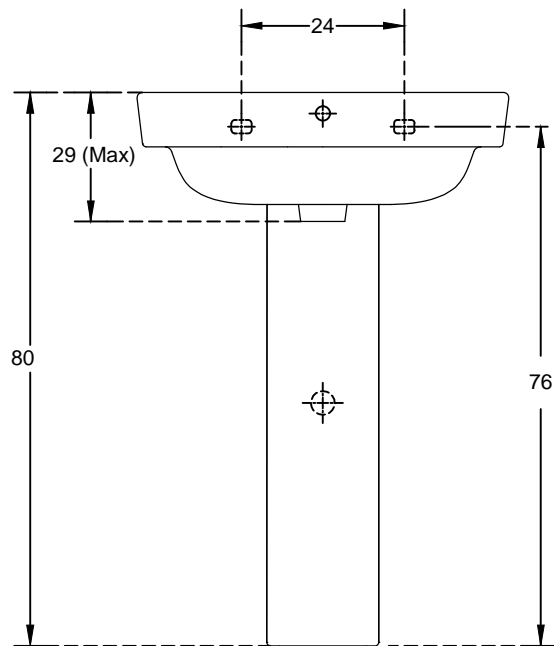


PLAN VIEW



FRONT ELEVATION

hindware
ART

HSIL LIMITED,
BAHADURGARH

CATALOGUE No.: 10098/11032

ITEM DESCRIPTION: WASH BASIN NEO (55X40X80cm)

DRAWN:

UNIT: CM

CHECKED:

SCALE: 1:10

APPROVED:

DRG. No.: WB/125
REV. No.: 0

DATE: 25.09.2010