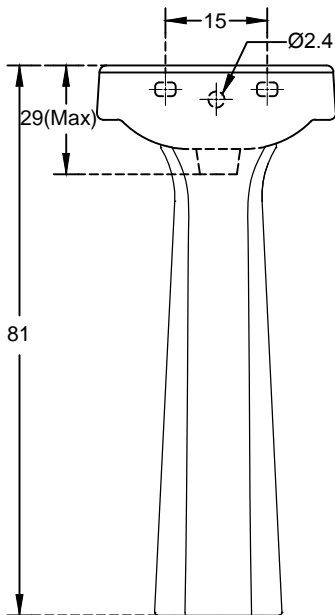
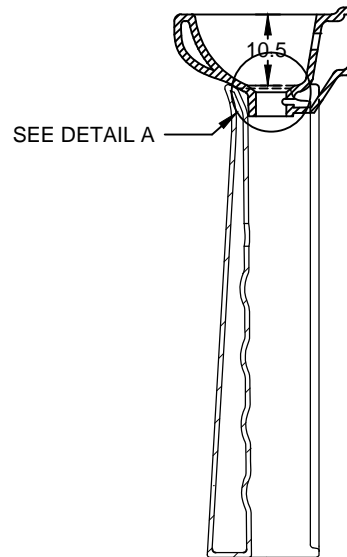


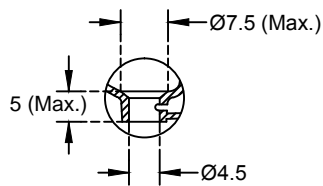
PLAN VIEW



FRONT ELEVATION



SECTIONAL VIEW



DETAIL A

<b>hindware</b>		HSIL LIMITED, BAHADURGARH	
CATALOGUE No.:		10053 / 11029 (Neptune Pedestal)	
ITEM DESCRIPTION:		WASH BASIN CUTE (35 x 26.5 X 81 cm) WITH NEPTUNE PEDESTAL	
DRAWN:		UNIT: CM	
CHECKED:		SCALE: 1:10	
APPROVED:		DRG. No.: WB/153 REV. No.: 0	
DATE: 27.02.2010			