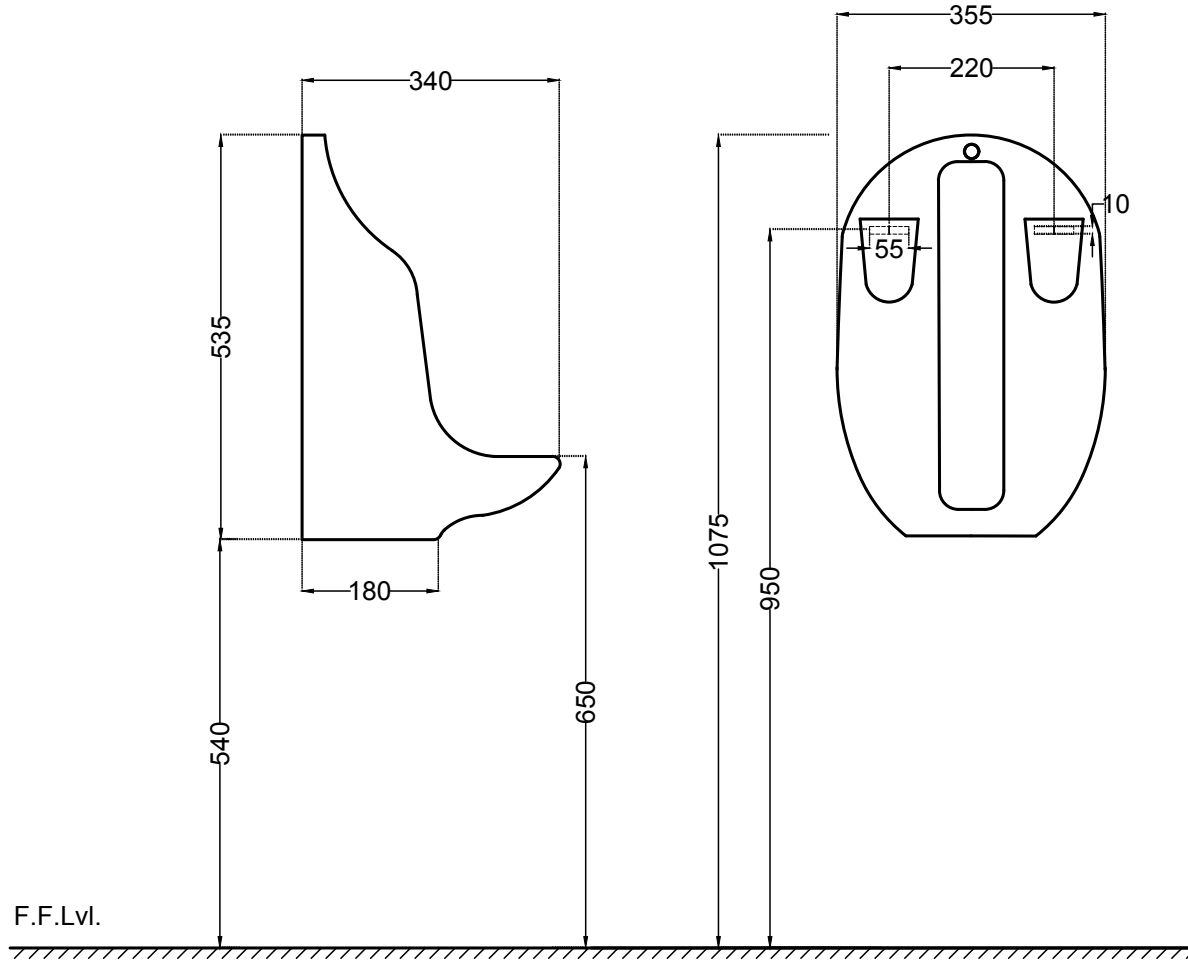


TOP VIEW



SIDE VIEW

BACK VIEW

F.F.Lvl.

ALL DIMENSIONS ARE IN MM.
(TOLERANCE ± 5 MM)