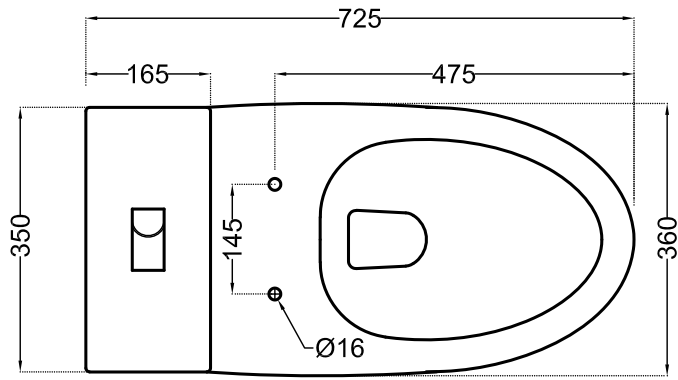
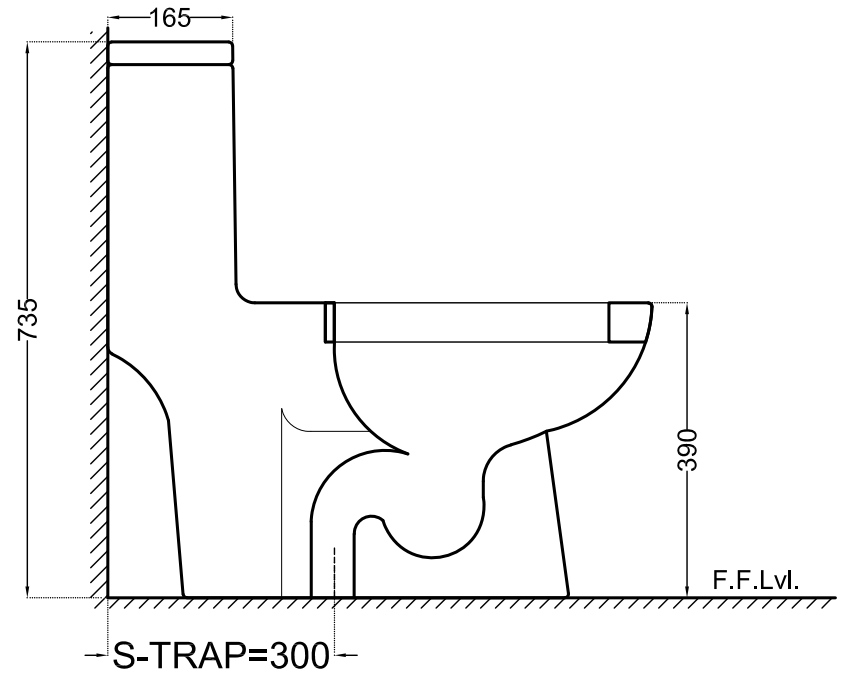


SLS-WHT-6851S300PP



SIDE VIEW



TOP VIEW

ALL DIMENSIONS ARE IN MM.  
(TOLERANCE  $\pm 5$  MM)