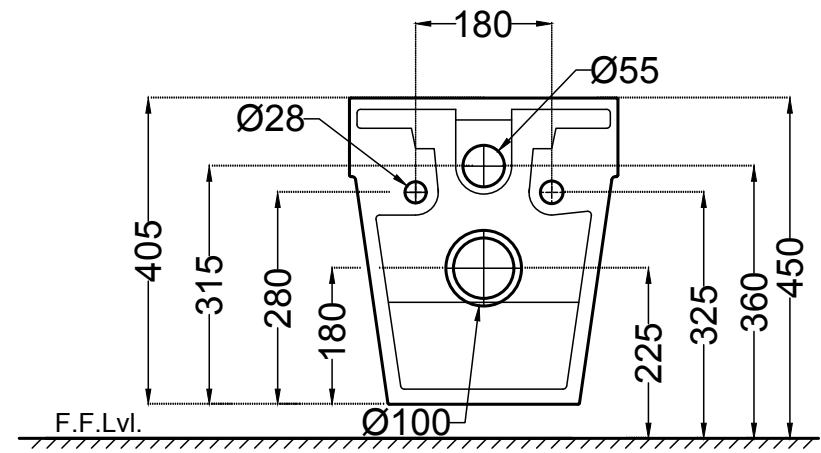
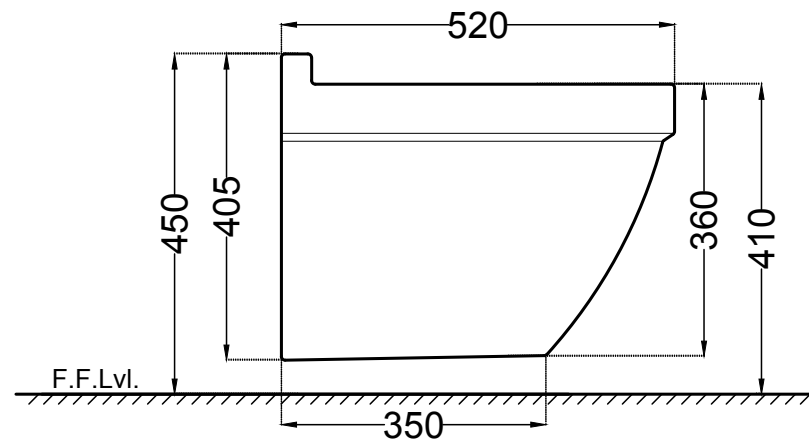
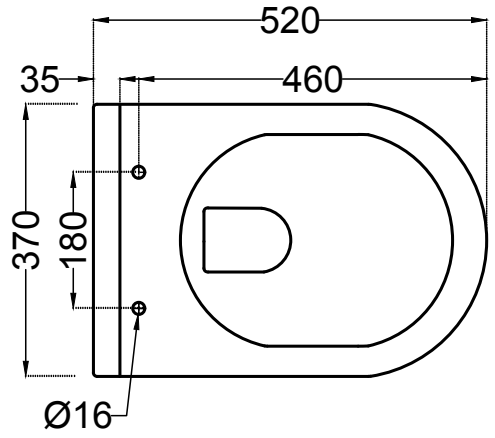


SLS-WHT-6953BIUFSM



ALL DIMENSIONS ARE IN MM.
(TOLERANCE ± 5 MM)