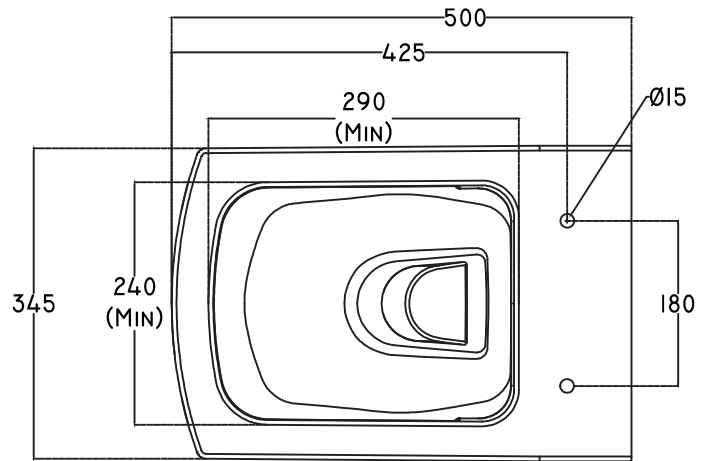
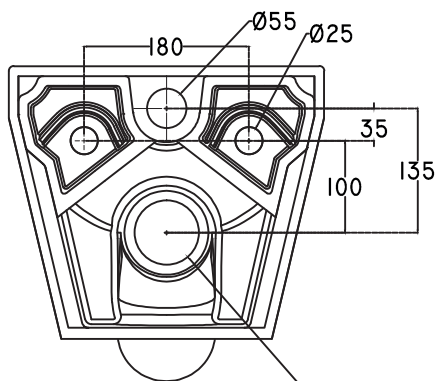


Aspiro_EWC_WM

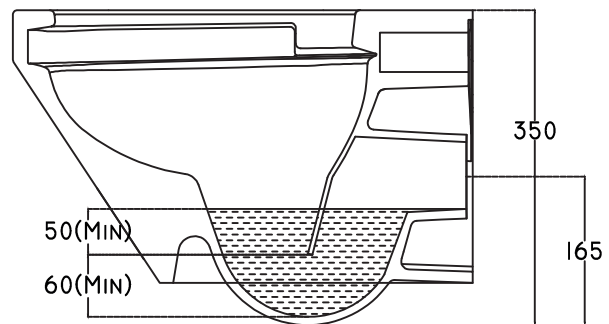


PLAN VIEW



FRONT ELEVATION

ID Ø70(MIN.)
OD Ø95(MAX.)



SECTIONAL VIEW

hindware
ITALIAN COLLECTION

CATALOGUE NO: 92610

PRODUCT: EWC WM Aspiro

SIZE: 500 mm X 345 mm X 350 mm