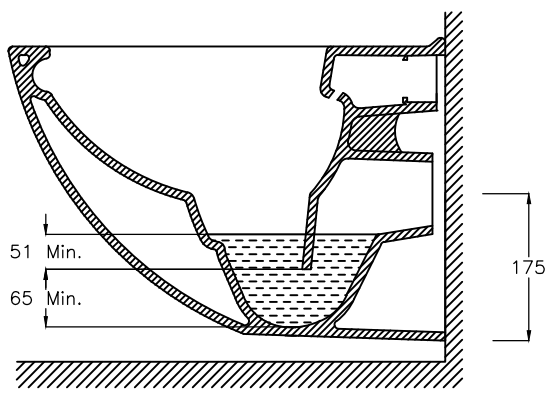
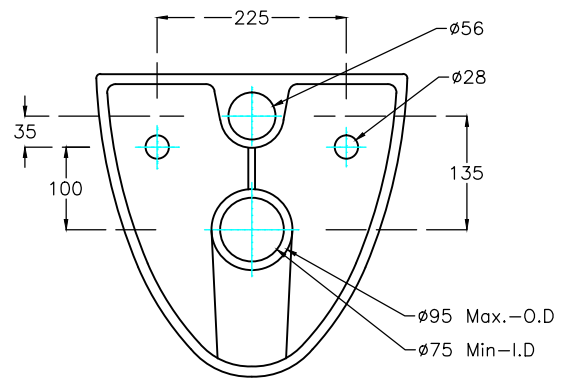


TOP-VIEW

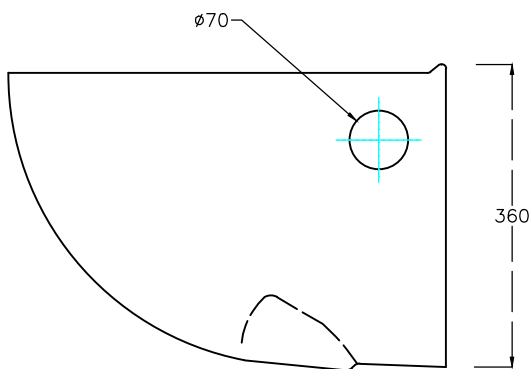


FLOOR-LEVEL

SECTION-VIEW



BACK-VIEW



SIDE-VIEW

hindware		HSIL LIMITED, BAHADURGARH	
CATALOGUE NO:	20109		
ITEM DESCRIPTION:	EWC W/M ELEGANCE-RIMLESS (520X370X360MM)		
DRAWN:		UNIT:MM	
CHECKED:		SCALE:1:1	
APPROVED:		DRAWING:NO:WC/222	
DATE:02.07.2019		REV:NO: 0	